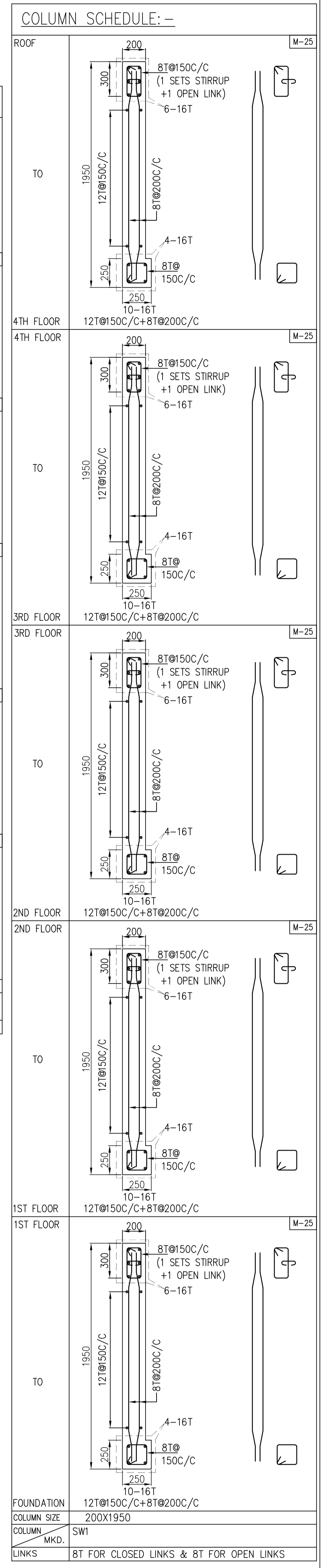
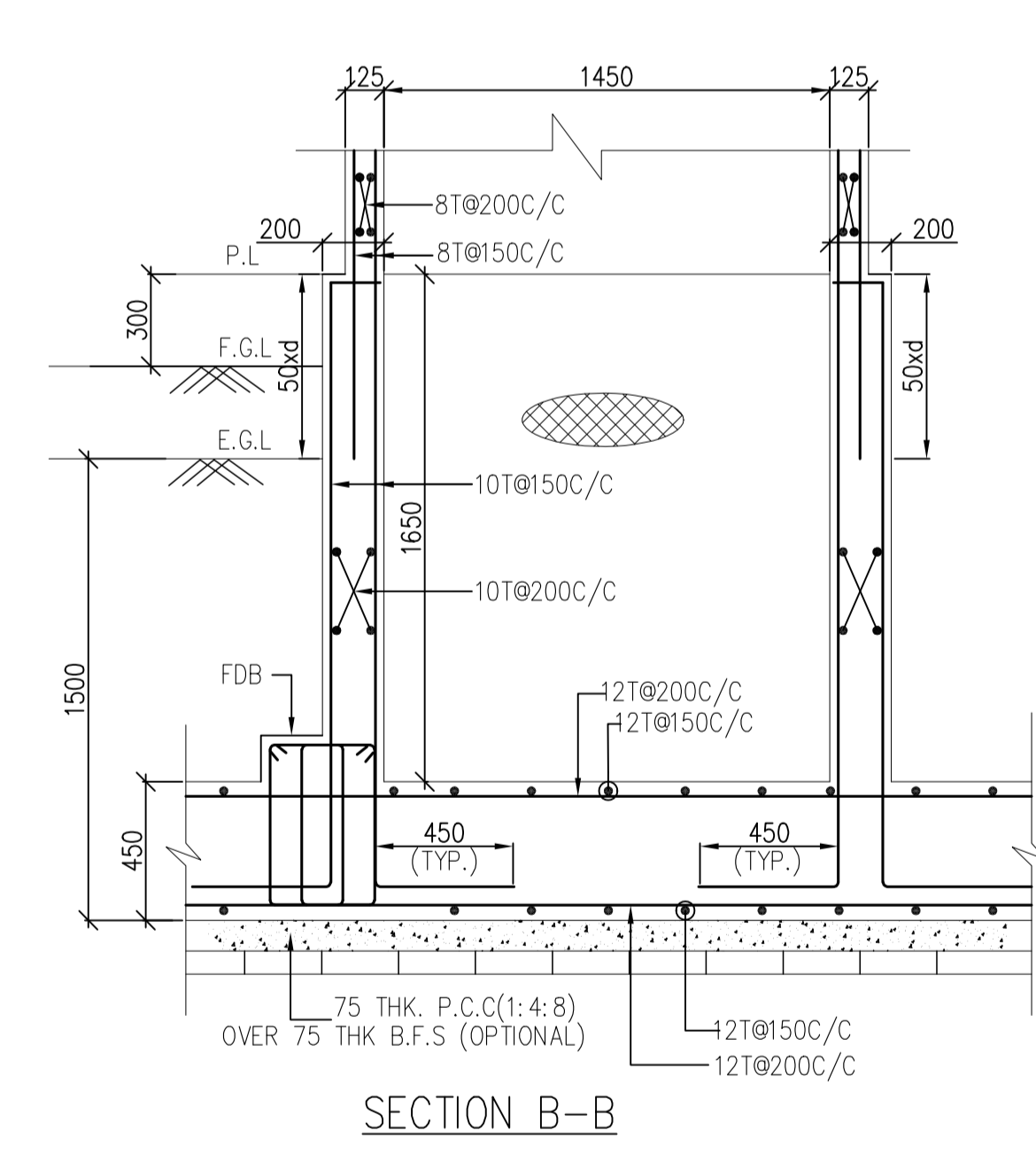
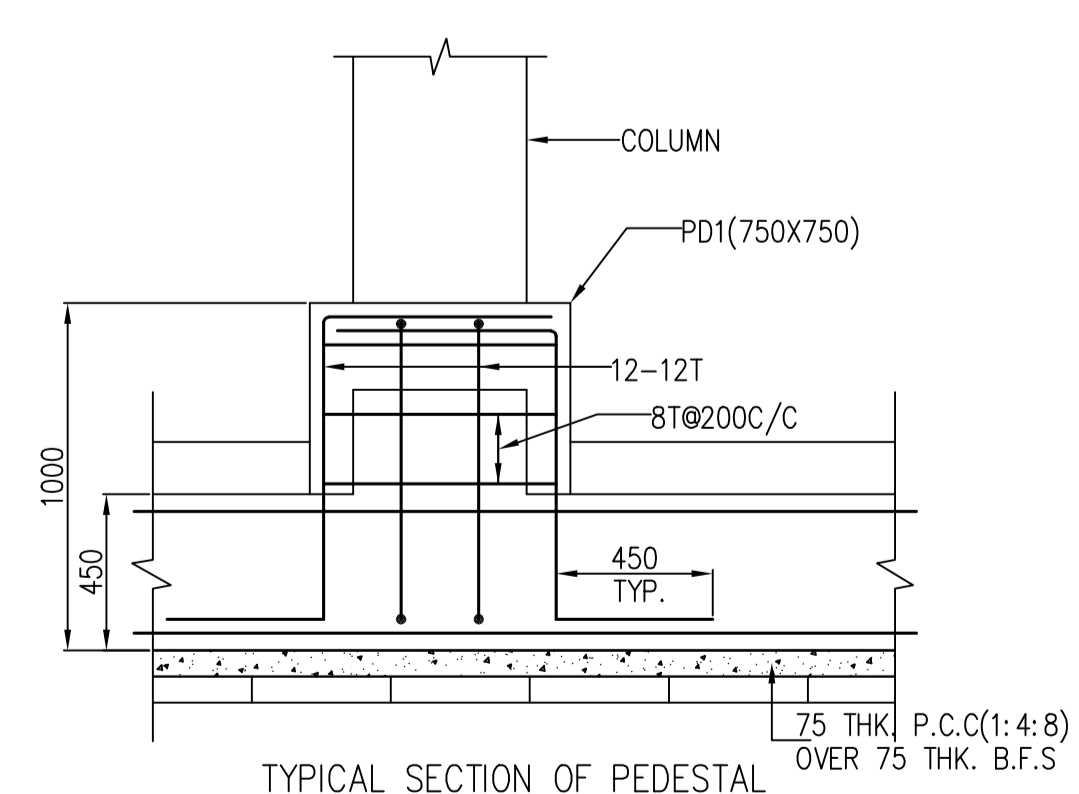
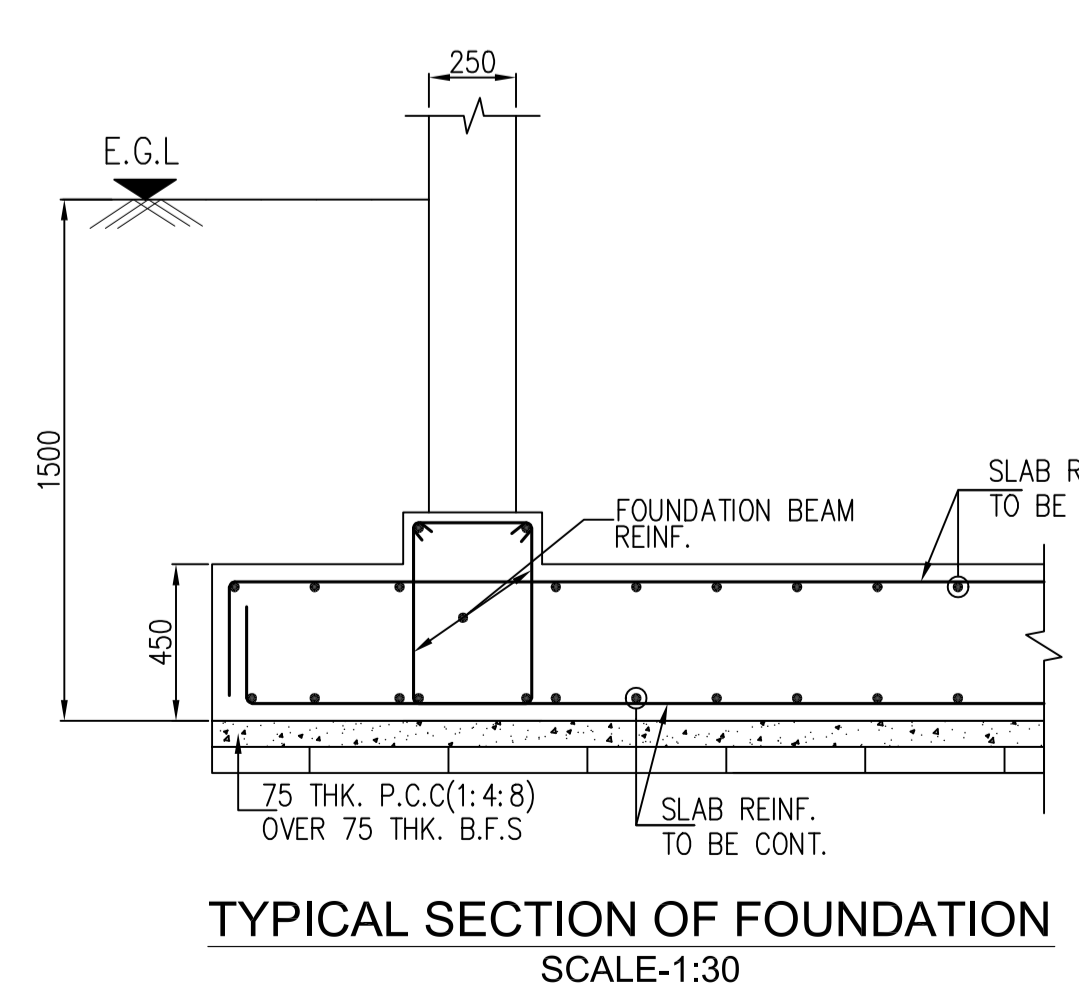
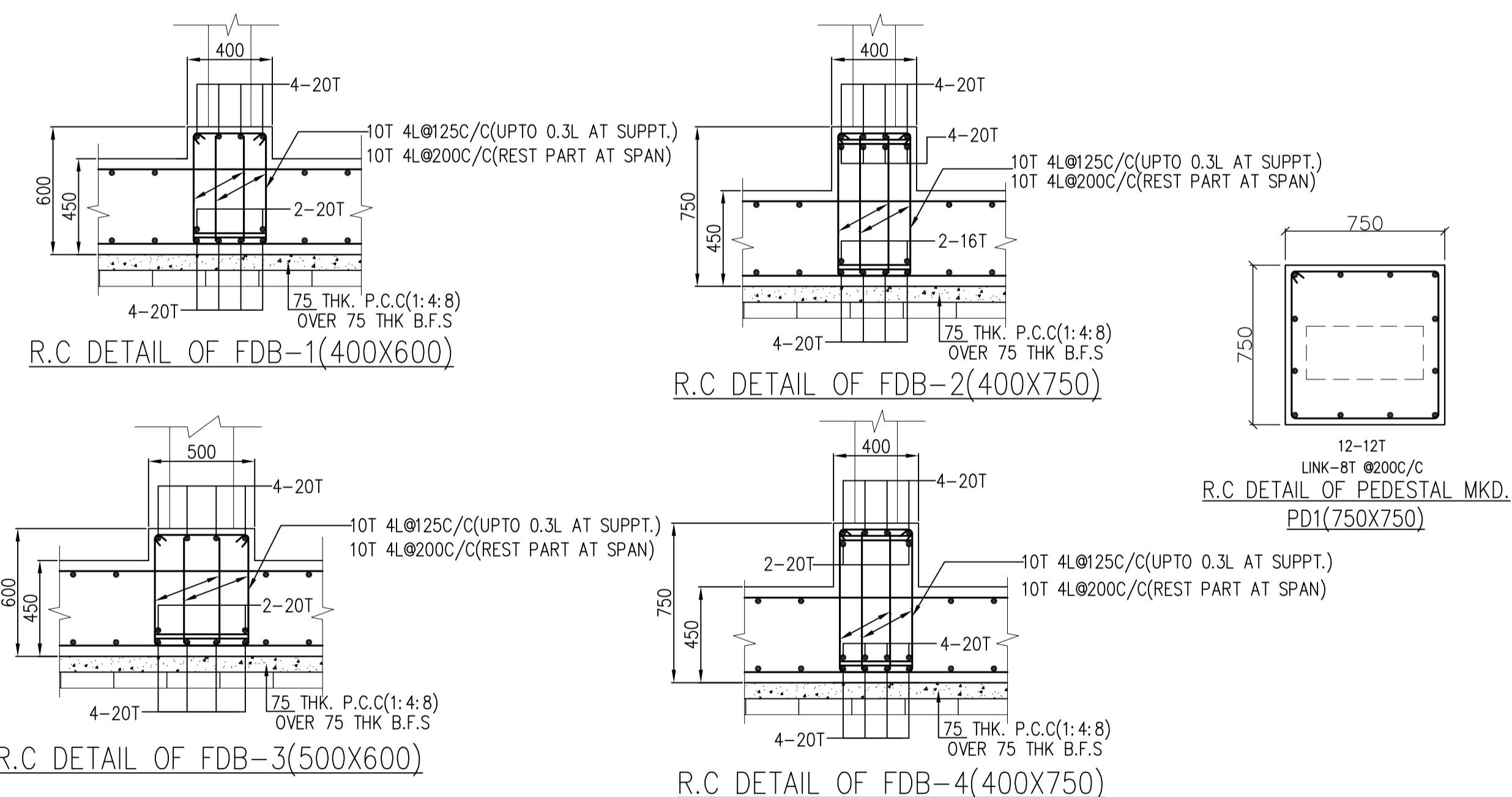


COLUMN SCHEDULE: -

LINK DETAILS	2 SETS STIRRUP	2 SETS STIRRUP	2 SETS STIRRUP	2 SETS+2 OPEN LINK STIRRUP	2 SETS+1 OPEN LINK STIRRUP	2 SETS+2 OPEN LINK STIRRUP	2 SETS STIRRUP	2 SETS+1 OPEN LINK STIRRUP	2 SETS STIRRUP
ROOF	M-25	M-25	M-25	M-25	M-25	M-25	M-25	M-25	M-25
TO									
4TH FLOOR	M-25	M-25	M-25	M-25	M-25	M-25	M-25	M-25	M-25
TO									
3RD FLOOR	M-25	M-25	M-25	M-25	M-25	M-25	M-25	M-25	M-25
TO									
2ND FLOOR	M-25	M-25	M-25	M-25	M-25	M-25	M-25	M-25	M-25
TO									
1ST FLOOR	M-25	M-25	M-25	M-25	M-25	M-25	M-25	M-25	M-25
TO									
FOUNDATION	M-25	M-25	M-25	M-25	M-25	M-25	M-25	M-25	M-25
COLUMN SIZE	250X400	250X525	250X500	600X250	600X250	600X250	500X250	500X250	500X250
COLUMN MKD.	C1,C9A,C15	C2	C3,C4	C5	C6,C9	C7	C8,C10,C11,C12,C14	C13	C16

LINKS: 8T FOR CLOSED LINKS & 8T FOR OPEN LINKS @ 150C/C



- NOTES
- ALL DIMENSIONS ARE IN MM EXCEPT NOTED
 - GRADE OF CONCRETE M25
 - GRADE OF STEEL Fe500
 - CLEAR COVER TO MAIN REINFORCEMENT
 - COLUMN - 40
 - SHEARWALL - 30
 - PEDESTAL - 40
 - RAFT SLAB - 50
 - FOUNDATION BEAM - 50
 - ALL LAPS ARE TO BE 50X DIA & ARE STAGGERED
 - ALL SPACER BAR ARE TO BE PROVIDED @600C/C
 - 250 THK. BRICK WORK TO BE DONE OVER ALL FOUNDATION BEAM UPTO PL. BRICK WORK ABOVE PL. FOLLOW ARCH. DRG.

PROJECT:-
 PLAN OF PROPOSED G+IV STORIED RESIDENTIAL BUILDING OF PREMISES NO.- 58 / 7/ 88, MINAPARA ROAD, UNDER K.M.C. WARD - 095, BOROUGH - X, P.S.- NETAJI NAGAR, KOLKATA-700092.U/S 393A OF K.M.C ACT 1980 COMPLYING B/R 2009.

REV.	MKD.	DESCRIPTION	SIGN	DATE

STRUCTURAL CONSULTANT:
P.M. CONSULTANT
 STRUCTURAL ENGINEERING CONSULTANT
 3A, SIDDHESWARI ROAD, KOLKATA - 700029.
 PHONE - 033-40061123
 WEB: <https://pmstructure.wixsite.com/pmcon>
 Email: pmstructure@gmail.com, bbekm@rediffmail.com

ARCHITECTS:
AMZ ASSOCIATES
 ARCHITECTS
 CONSULTING ARCHITECTS & ENGINEERS
 74 A PURNA DAS ROAD, KOLKATA - 700029
 Contact No. - 9830041196
 Email - amz.associates@gmail.com
 Web - www.amzassociates.net

DRAWN BY - S.P. SCALE - 1:75.30
 CHECKED BY - BBM DATE - 22.07.2022 RO

DRG. NO - PMC/58 / 7/ 88, MINAPARA ROAD/WD/ST-01

THIS DRAWING IS A PROPERTY OF P.M CONSULTANT 3A, SIDDHESWARI ROAD, KOLKATA-700029. ANY MODIFICATION, CHANGES, DEVIATIONS IS NOT PERMISSIBLE WITHOUT PRIOR INTIMATION TO P.M CONSULTANT IN THE CONTRARY. THIS WILL BE TREATED AS ILLEGAL ACT.